

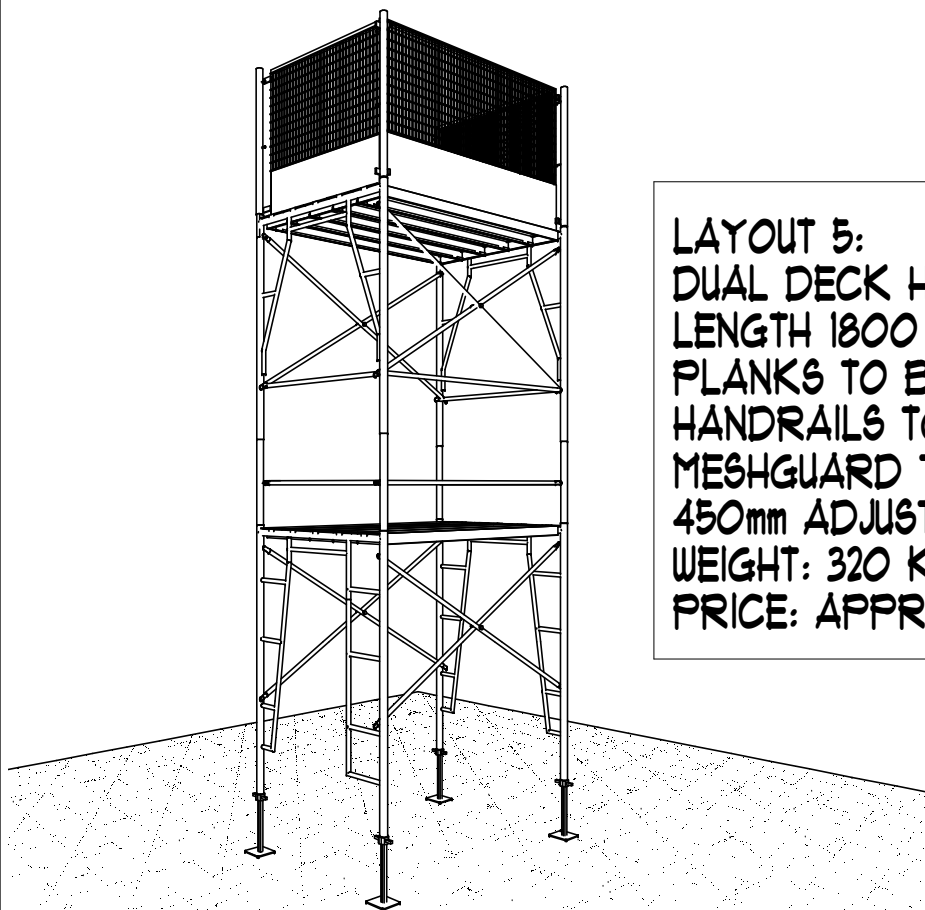
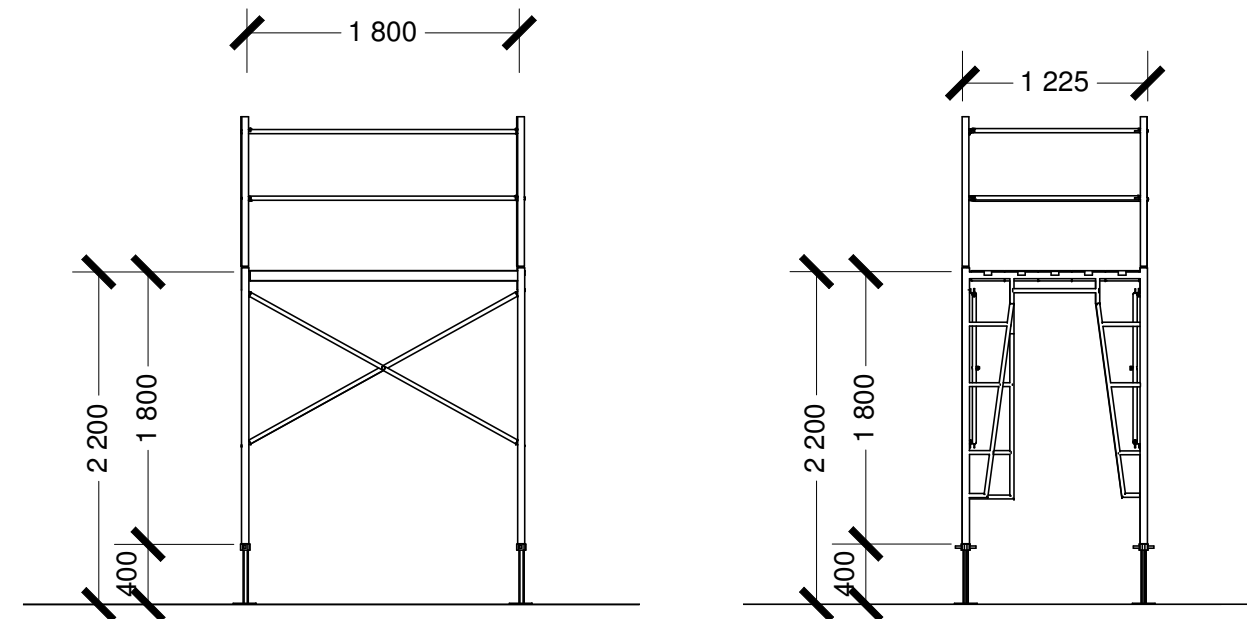
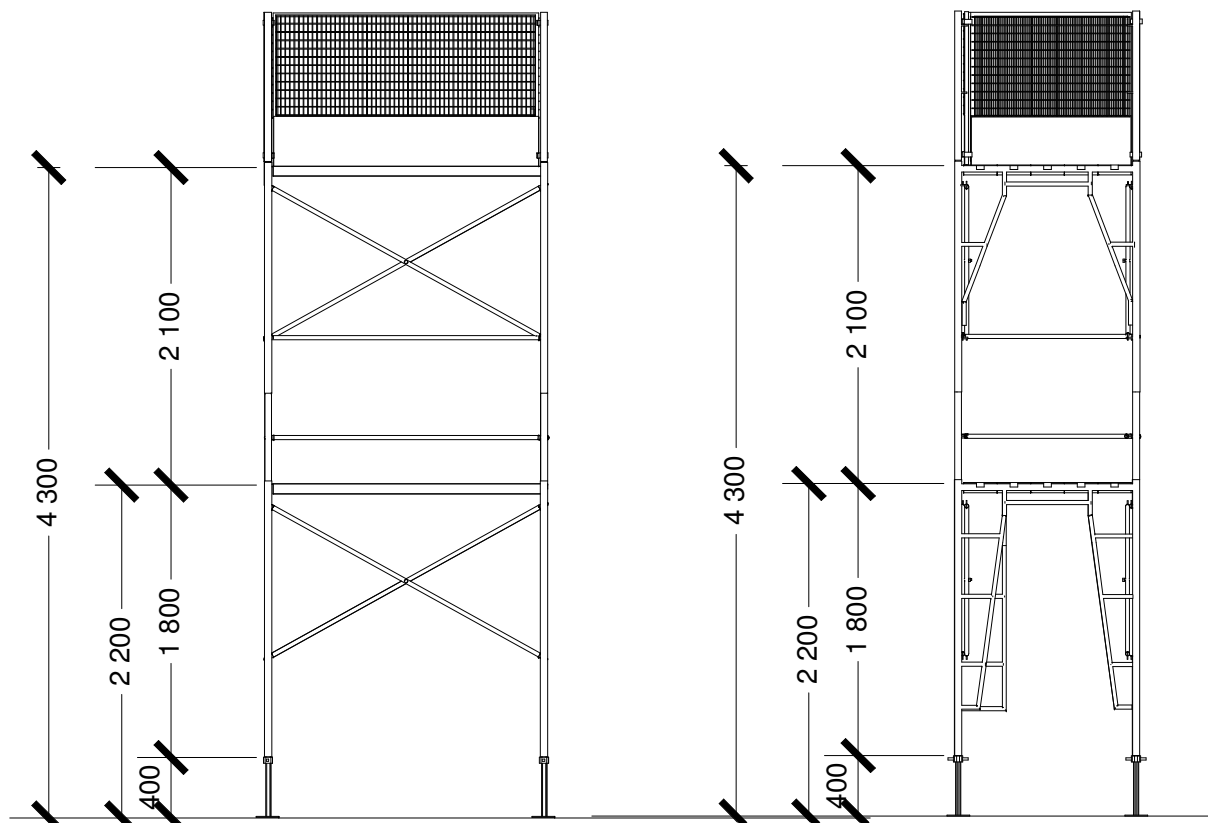
LAYOUT 4: (example of scaffold on sloping ground)
 DUAL DECK HEIGHT (1950 AND 4050)
 LENGTH 20100
 PLANKS TO BOTH DECKS
 HANDRAILS TO LOWER DECK
 HANDRAILS TO UPPER DECK
 450mm ADJUSTMENT IN SCREW JACKS
 WEIGHT: 1830 KG
 PRICE: APPROX \$9000 INC GST

POLE CREATIONS PTY LTD
 650 NELSON RD, MT NELSON, Tas 7007
 PH (03) 62 24 9619 mobile 0417 503 702
 or 0409 970 689

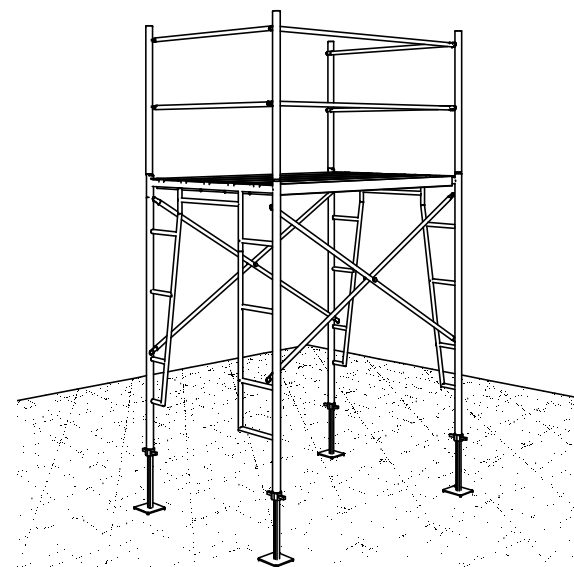
RAPID SCAFFOLD
 FRAME SCAFFOLD PRICE LIST

*Light weight galvanised steel scaffold
 *Rated Heavy Duty (suitable for brick work)
 *Certified to Australian standard

13 / 2 / 07



LAYOUT 5:
 DUAL DECK HEIGHT (2200 AND 4300)
 LENGTH 1800
 PLANKS TO BOTH DECKS
 HANDRAILS TO LOWER DECK
 MESHGUARD TO UPPER DECK
 450mm ADJUSTMENT IN SCREW JACKS
 WEIGHT: 320 KG
 PRICE: APPROX \$1600 INC GST



LAYOUT 6: (BASIC BAY)
 DECK HEIGHT (2200)
 LENGTH 1800
 PLANKS DECK
 HANDRAILS TO DECK
 450mm ADJUSTMENT IN SCREW JACKS
 WEIGHT: 145 KG
 PRICE: APPROX \$150 INC GST

POLE CREATIONS PTY LTD
 650 NELSON RD, MT NELSON, Tas 7007
 PH (03) 62 24 9619 mobile 0417 503 702
 or 0409 970 689

RAPID SCAFFOLD
 FRAME SCAFFOLD PRICE LIST

*Light weight galvanised steel scaffold
 *Rated Heavy Duty (suitable for brick work)
 *Certified to Australian standard

13 / 2 / 07