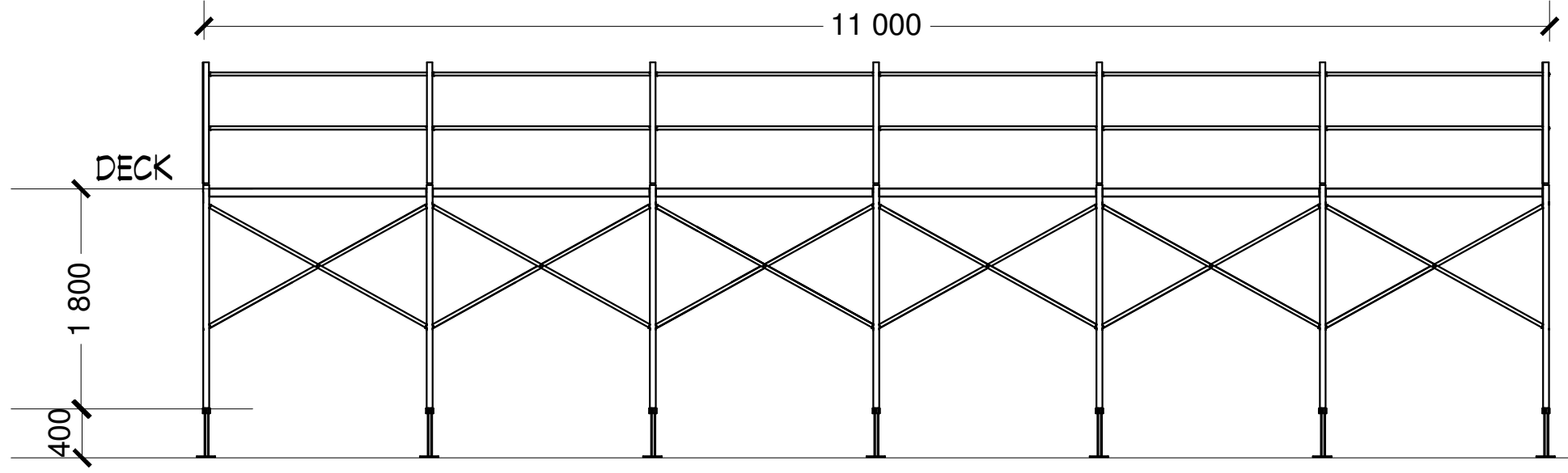
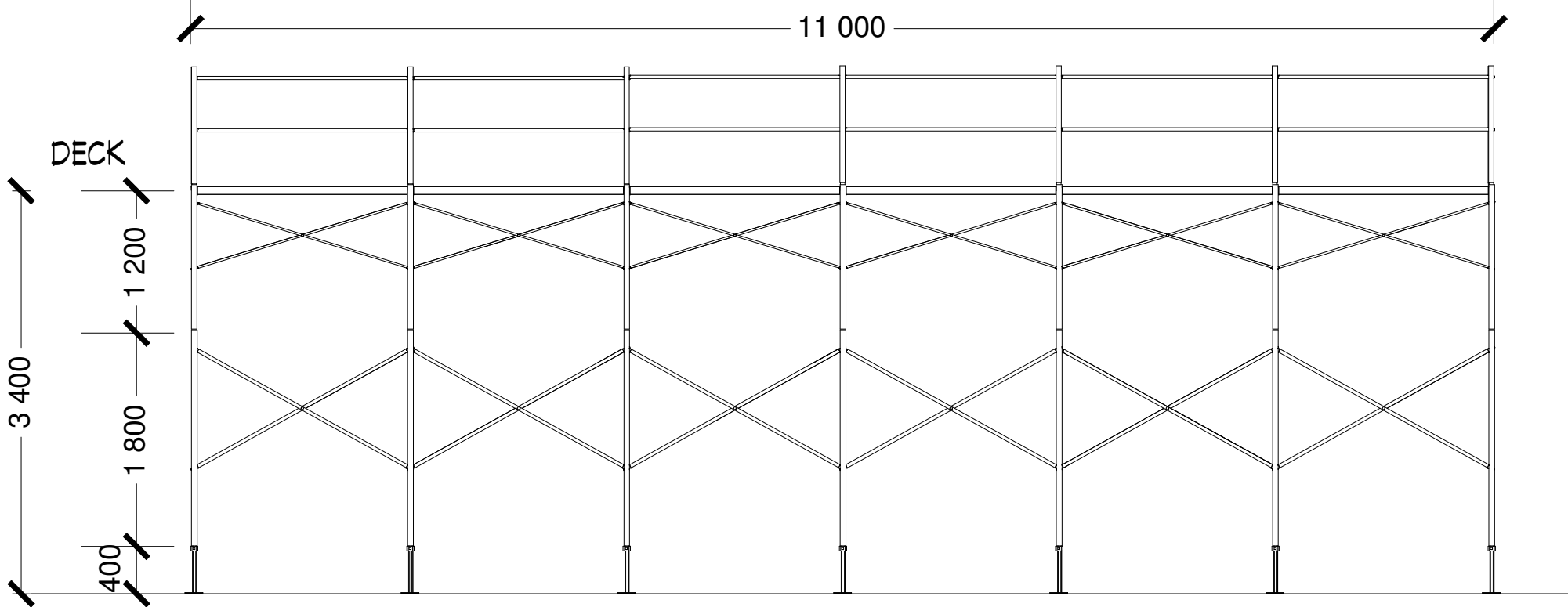
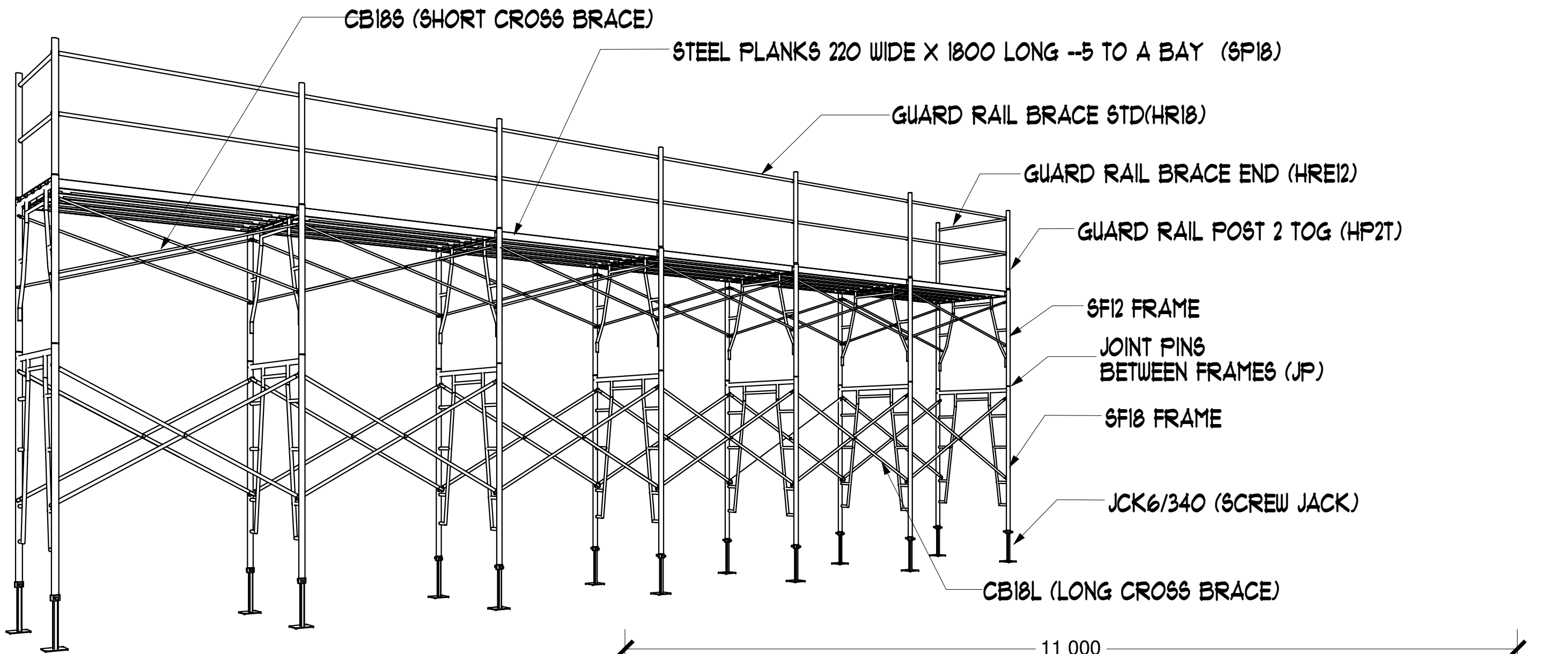


LAYOUT 1:
 DECK HEIGHT 1800-2200
 LENGTH 11000
 GALVANISED PLANKS TO DECK
 HANDRAILS DECK
 400mm ADJUSTMENT IN SCREW JACKS
 WEIGHT: 670 KG
 PRICE: APPROX \$ 3200 INC GST
 MESHGUARD OPTION (APPROX \$580 EXTRA)



POLE CREATIONS PTY LTD
 650 NELSON RD, MT NELSON, Tas 7007
 PH (03) 62 24 9619 mobile 0417 503 702
 or 0409 970 689

RAPID SCAFFOLD
 FRAME SCAFFOLD PRICE LIST
 *Light weight galvanised steel scaffold
 *Rated Heavy Duty (suitable for brick work)
 *Certified to Australian standard
 13 / 2 / 07



LAYOUT 2:
 DECK HEIGHT 3000-3400
 LENGTH 11000
 GALVANISED PLANKS TO DECK
 HANDRAILS TO DECK
 400mm ADJUSTMENT IN SCREW JACKS
 WEIGHT: 932 KG APPROX
 COST: APPROX \$ 4400 INC GST

POLE CREATIONS PTY LTD
 650 NELSON RD, MT NELSON, Tas 7007
 PH (03) 62 24 9619 mobile 0417 503 702
 or 0409 970 689

RAPID SCAFFOLD
 FRAME SCAFFOLD PRICE LIST
 *Light weight galvanised steel scaffold
 *Rated Heavy Duty (suitable for brick work)
 *Certified to Australian standard
 13 / 2 / 07

MESHGUARD 1800 (MG18)

MESHGUARD END 1200 (MG12)

GUARD RAIL POST 2 TOG (HP2T)

STEEL PLANKS 220 WIDE X 1800 LONG
(5 TO A BAY (SP18))

SF15 FRAME

CB18L (LONG CROSS BRACE)

GUARD RAIL BRACE STANDARD

EXTENSION LEG (EL15)

JOINT PIN

SF18 FRAME

CB18L (LONG CROSS BRACE)

JCK6/340 (SCREW JACK)

1 225

DECK

2 100

4 300

1 800

400

SIDE ELEVATION

5 475

DECK

2 100

4 300

1 800

400

FRONT ELEVATION

TRAILER PACK 1:

DECK HEIGHT 3900-4300

LENGTH 5500

GALVANIZED PLANKS TO DECK

HANDRAILS DECK

400mm ADJUSTMENT IN SCREW JACKS

WEIGHT APPROX 600KG

COST APPROX \$ 3,000 INC GST (PLUS TRAILER IF REQUIRED)

NOTE: DISPLAY SCAFFOLD WILL COMFORTABLY FIT IN TRAILER 1500 W X 2100LONG WITH MOUNTS

*CAN BE CONFIGURED AS 1800-2200 HIGH X 12600 LONG SCAFFOLD

WITH ADDITIONAL 4 MESHGUARDS + 20 PLANKS + 8 SCREW JACKS APPROX ADDITIONAL COST \$1700)

POLE CREATIONS PTY LTD

650 NELSON RD, MT NELSON, Tas 7007

PH (03) 62 24 9619 mobile 0417 503 702

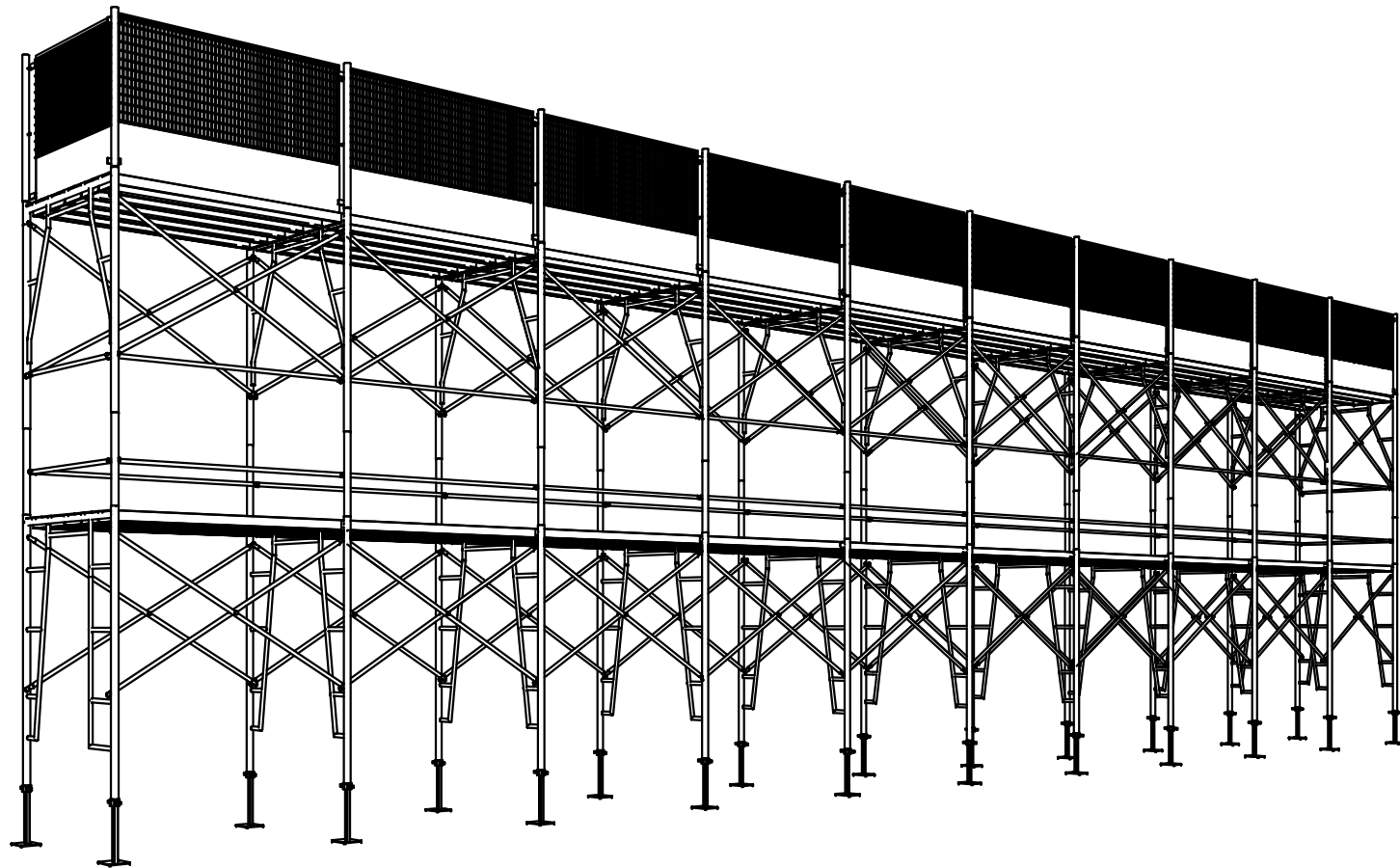
or 0409 970 689

RAPID SCAFFOLD

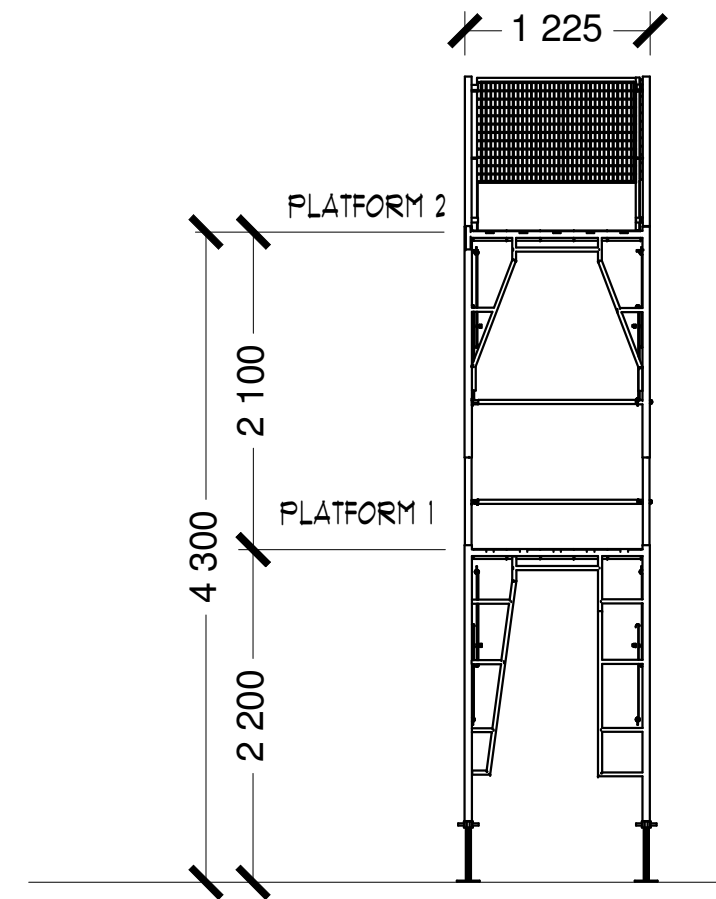
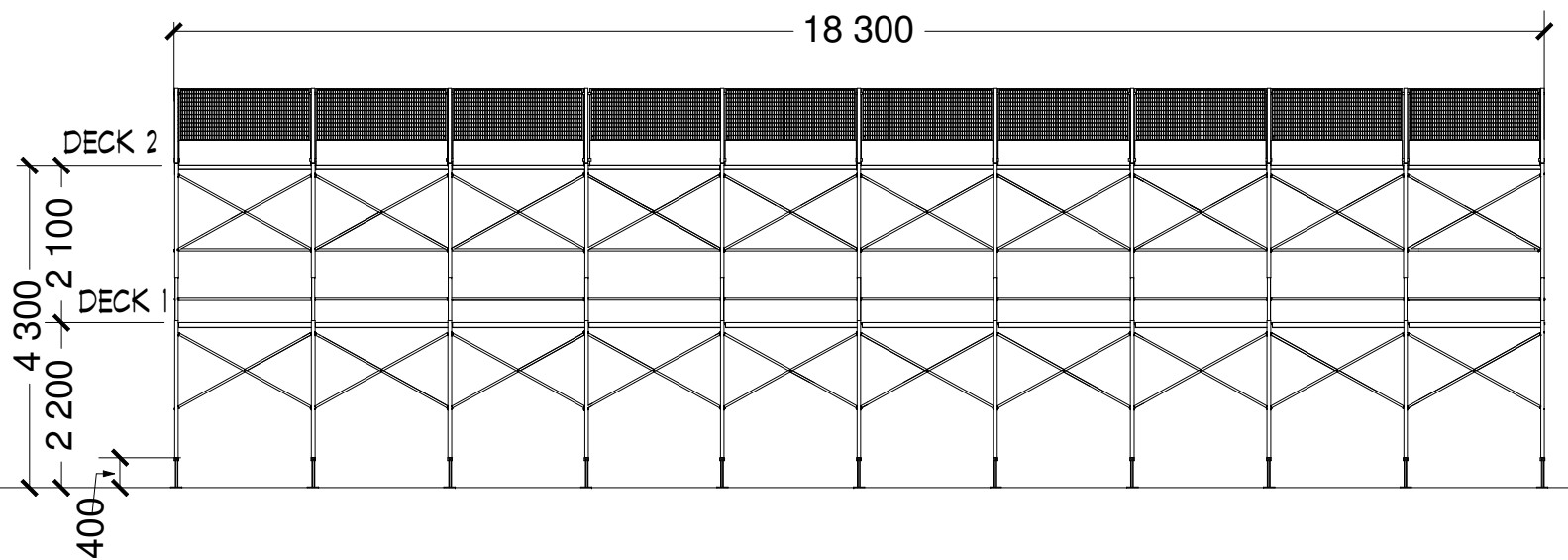
FRAME SCAFFOLD PRICE LIST

*Light weight galvanised steel scaffold
*Rated Heavy Duty (suitable for brick work)
*Certified to Australian standard

13 / 2 / 07



LAYOUT 3:
 DUAL DECK HEIGHT (2200 AND 4300)
 LENGTH 18300
 PLANKS TO BOTH DECKS
 HANDRAILS TO LOWER DECK
 MESHGUARD TO UPPER DECK
 400mm ADJUSTMENT IN SCREW JACKS
 WEIGHT 2300 KG
 PRICE: APPROX \$11,200 INC GST



SIDE ELEVATION

POLE CREATIONS PTY LTD
 650 NELSON RD, MT NELSON, Tas 7007
 PH (03) 62 24 9619 mobile 0417 503 702
 or 0409 970 689

RAPID SCAFFOLD
 FRAME SCAFFOLD PRICE LIST

*Light weight galvanised steel scaffold
 *Rated Heavy Duty (suitable for brick work)
 *Certified to Australian standard

13 / 2 / 07